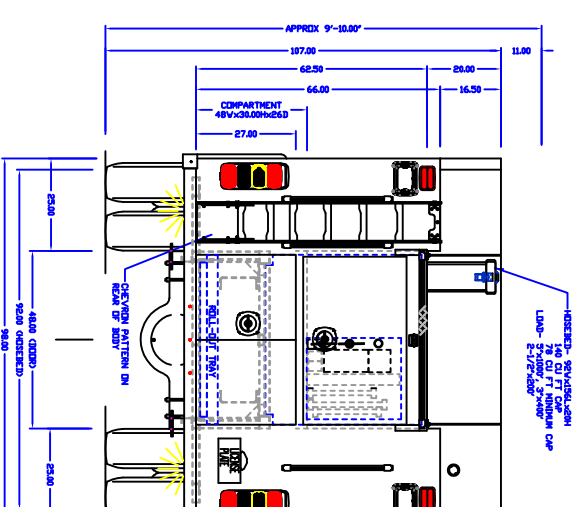
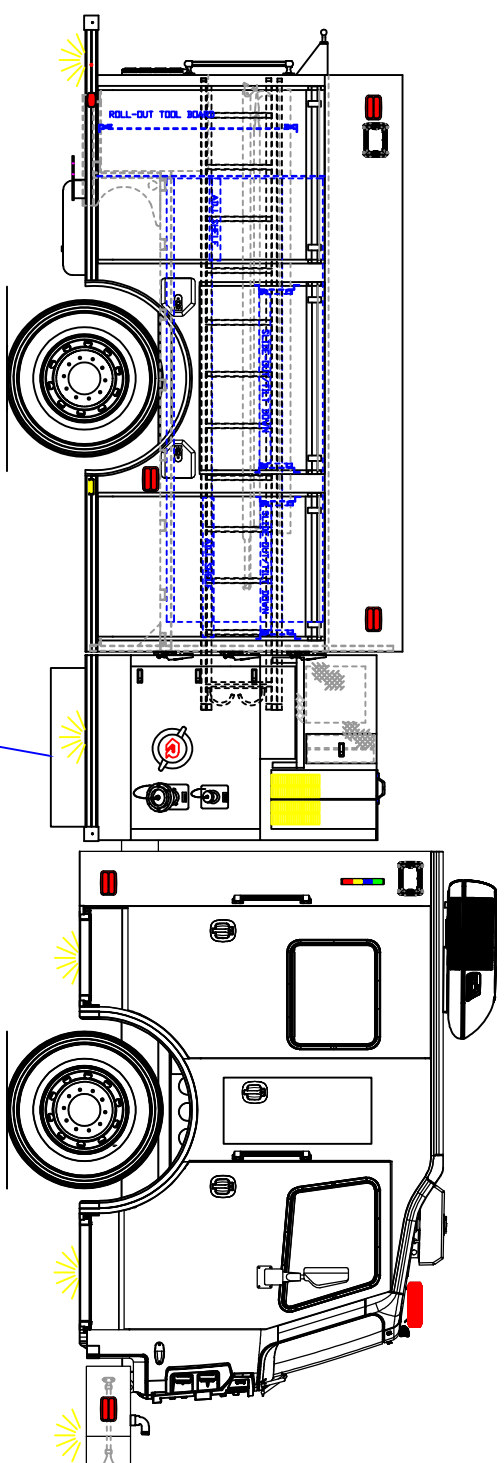
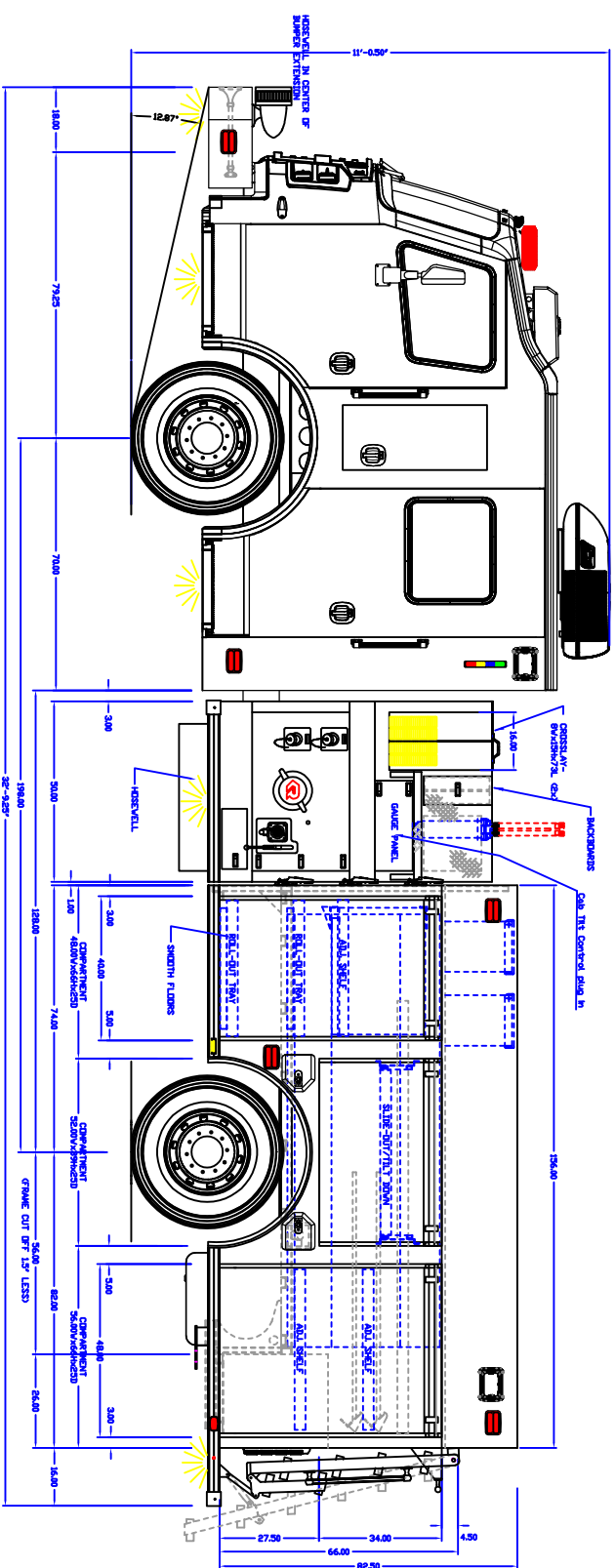
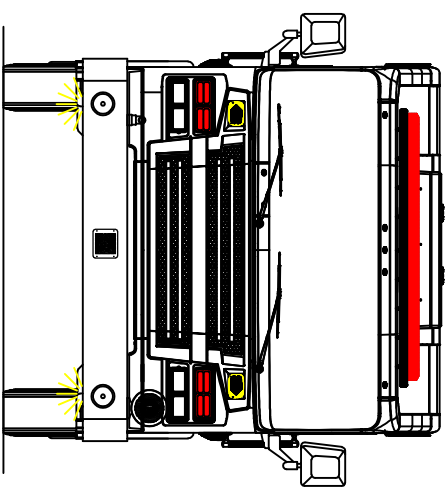


INITIALS: EH
 JOB NUMBER: 18873
 DATE: 5/10/2022

MAN. FILE: -
 DEPT: -
 DEALER: -

PRODUCTION APPROVED



- NOTES:
- OVERALL HEIGHT IS IN LOADED CONDITION. UNLOADED HEIGHTS MAY BE 4" ABOVE HEIGHTS SHOWN.
 - DO NOT SCALE DRAWING.
 - ALL DIMENSIONS ARE APPROXIMATE AND SUBJECT TO ENGINEERING CHANGES.
 - DRAWING MAY OR MAY NOT SHOW ALL ITEMS AS DESCRIBED IN THE WRITTEN DETAIL SPECIFICATIONS.
 - INCLUSION OF AN ITEM ON THE DRAWING DOES NOT CONSTITUTE INCLUSION OF THAT ITEM WITH THE FINAL DELIVERED UNIT.
 - THE EFFECTIVE DOOR OPENINGS WILL BE APPROX. 2" LESS THAN THE NOTED COMPARTMENT OPENING FOR ROLL UP DOORS AND UP TO APPROX. 4" LESS FOR HINGED DOORS

APPROVED BY:

CHASSIS:	ROSENBAUER 7011
PUMP:	WATEROUS 1250 GPM
TANK:	POLY/500/40(FOAM)
PANEL MATL:	LINE X
COMP INTERIOR:	SPATTER PAINTED
MAXIMUM HEIGHT	NONE
MAXIMUM LENGTH	NONE
BODY WIDTH	98"

REVISED: - DATE: -
 DRAWN: NJ DATE: 1/17/22

PROPRIETARY AND CONFIDENTIAL
 THIS DRAWING IS THE PROPERTY OF ROSENBAUER
 REPRODUCTION IN PART OR AS A WHOLE WITHOUT
 THE WRITTEN PERMISSION OF ROSENBAUER IS
 PROHIBITED.

SEMINOLE, FL

